

# APPENDICE

## APPENDIX



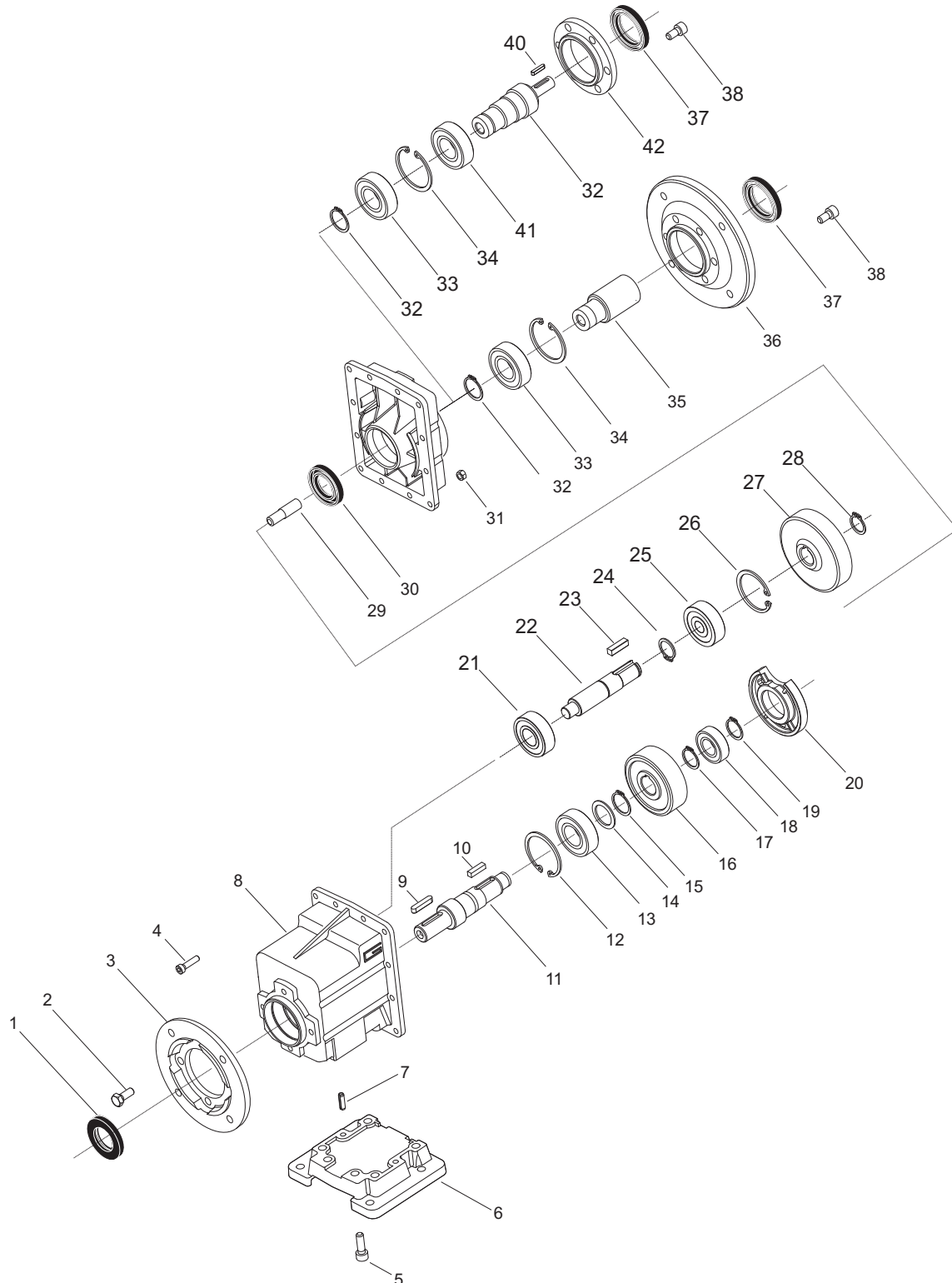
<b>Indice</b>	<b>Index</b>	Pag. Page
Liste parti di ricambio	<i>Spare parts list</i>	
CMG..2	<i>CMG..2</i>	<b>S2</b>
CMG..3	<i>CMG..3</i>	<b>S3</b>
WM 26 - CM030..CM130	<i>WM 26 - CM030..CM130</i>	<b>S4</b>
VAM018..VAM040	<i>VAM018..VAM040</i>	<b>S5</b>
Boccole di riduzione in acciaio	<i>Metal shaft sleeves</i>	<b>S6</b>

# LISTE PARTI DI RICAMBIO SPARE PARTS LIST

Lista parti di ricambio

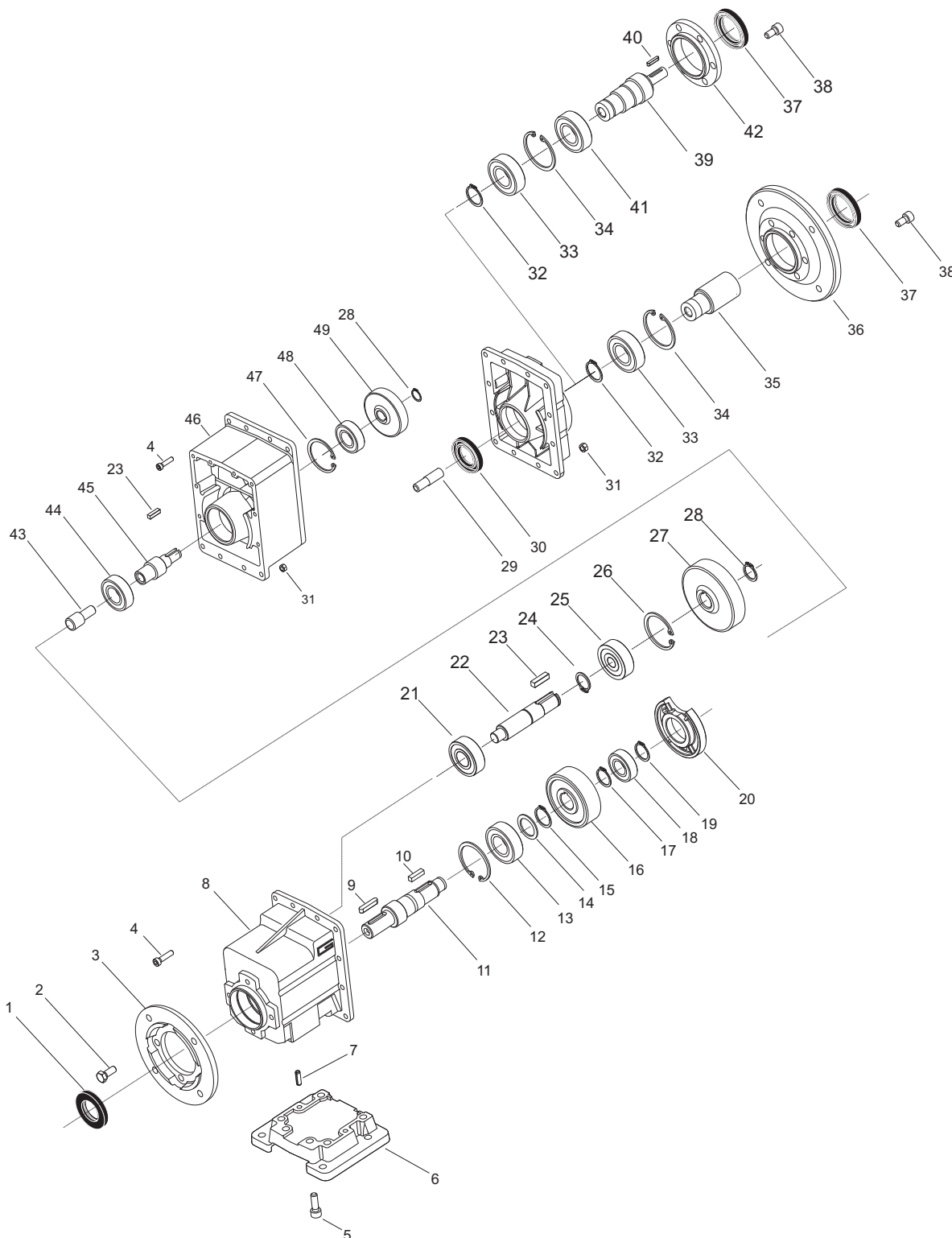
Spare parts list

## CMG..2



CMG	Cuscinetti / Bearings						Anelli di tenuta / Oil seals		RCA
	13	18	21	25	33	41	1	30	37
012	6205 25/52/15	6203 17/40/12	6300 2RS 10/35/11	6202 2RS 15/35/11	6205 2RS 25/52/15	6006 2RS 30/55/13	AS30/52/7	A 25/47/7	AS 35/52/7
022	3205A 25/52/20.6	6204 20/47/14	6301 2RS 12/37/12	6302 2RS 15/42/13	6205 2RS 25/52/15	6006 2RS 30/55/13	AS35/52/7	A 25/47/7	AS 35/52/7
032	6207 35/72/17	6205 25/52/15	6303 2RS 17/47/14	6204 2RS 20/47/14	6206 2RS 30/62/16	6007 2RS 35/62/14	AS40/72/7	A 30/52/7	AS 40/60/7
042	3207A 35/72/27	6206 30/62/16	6304 2RS 20/52/15	6304 2RS 20/52/15	6206 2RS 30/62/16	6007 2RS 35/62/14	AS45/72/7	A 30/52/7	AS 40/60/7

**CMG..3**



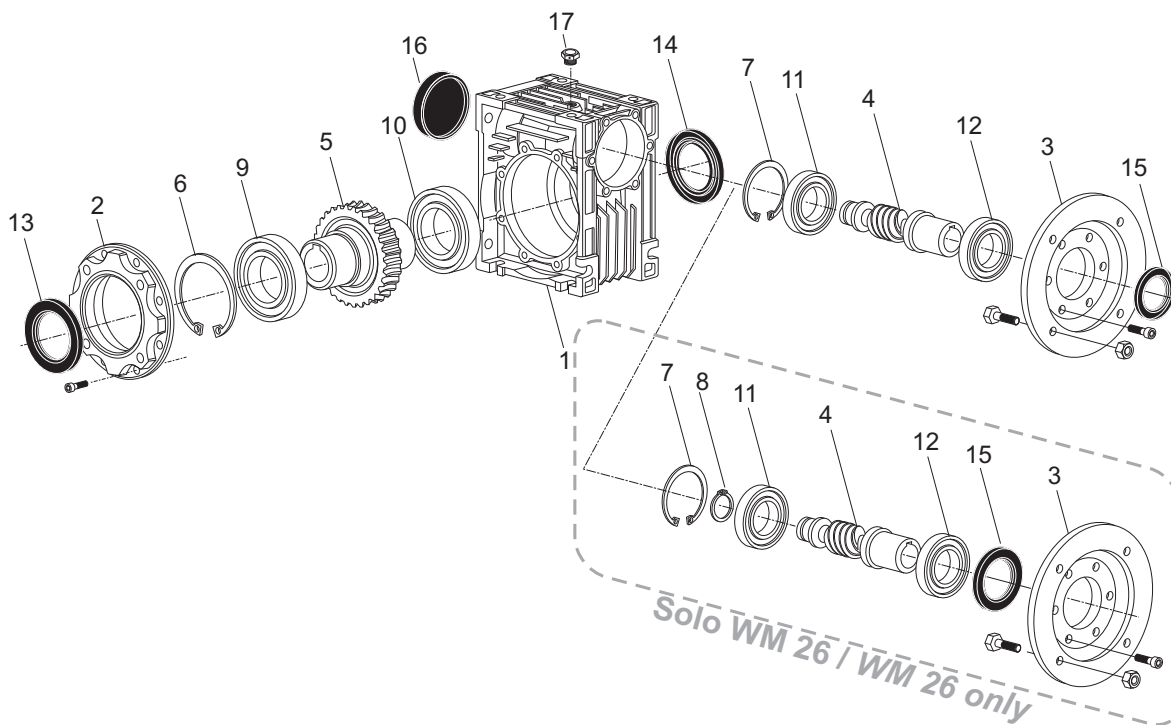
CMG	Cuscinetti / Bearings								Anelli di tenuta / Oil seals		
	13	18	21	25	33	41	44	48	1	30	37
<b>013</b>	<b>6205</b> 25/52/15	<b>6203</b> 17/40/12	<b>6300 2RS</b> 10/35/11	<b>6202 2RS</b> 15/35/11	<b>6205 2RS</b> 25/52/15	<b>6006 2RS</b> 30/55/13	<b>6204</b> 20/47/14	<b>6203</b> 17/40/12	AS30/52/7	A 25/47/7	AS 35/52/7
<b>023</b>	<b>3205A</b> 25/52/20.6	<b>6204</b> 20/47/14	<b>6301 2RS</b> 12/37/12	<b>6302 2RS</b> 15/42/13	<b>6205 2RS</b> 25/52/15	<b>6006 2RS</b> 30/55/13	<b>6204</b> 20/47/14	<b>6203</b> 17/40/12	AS35/52/7	A 25/47/7	AS 35/52/7
<b>033</b>	<b>6207</b> 35/72/17	<b>6205</b> 25/52/15	<b>6303 2RS</b> 17/47/14	<b>6204 2RS</b> 20/47/14	<b>6206 2RS</b> 30/62/16	<b>6007 2RS</b> 35/62/14	<b>6205</b> 25/52/15	<b>6204</b> 20/47/14	AS40/72/7	A 30/52/7	AS 40/60/7
<b>043</b>	<b>3207A</b> 35/72/27	<b>6206</b> 30/62/16	<b>6304 2RS</b> 20/52/15	<b>6304 2RS</b> 20/52/15	<b>6206 2RS</b> 30/62/16	<b>6007 2RS</b> 35/62/14	<b>6205</b> 25/52/15	<b>6204</b> 20/47/14	AS45/72/7	A 30/52/7	AS 40/60/7

# LISTE PARTI DI RICAMBIO SPARE PARTS LIST

Lista parti di ricambio

Spare parts list

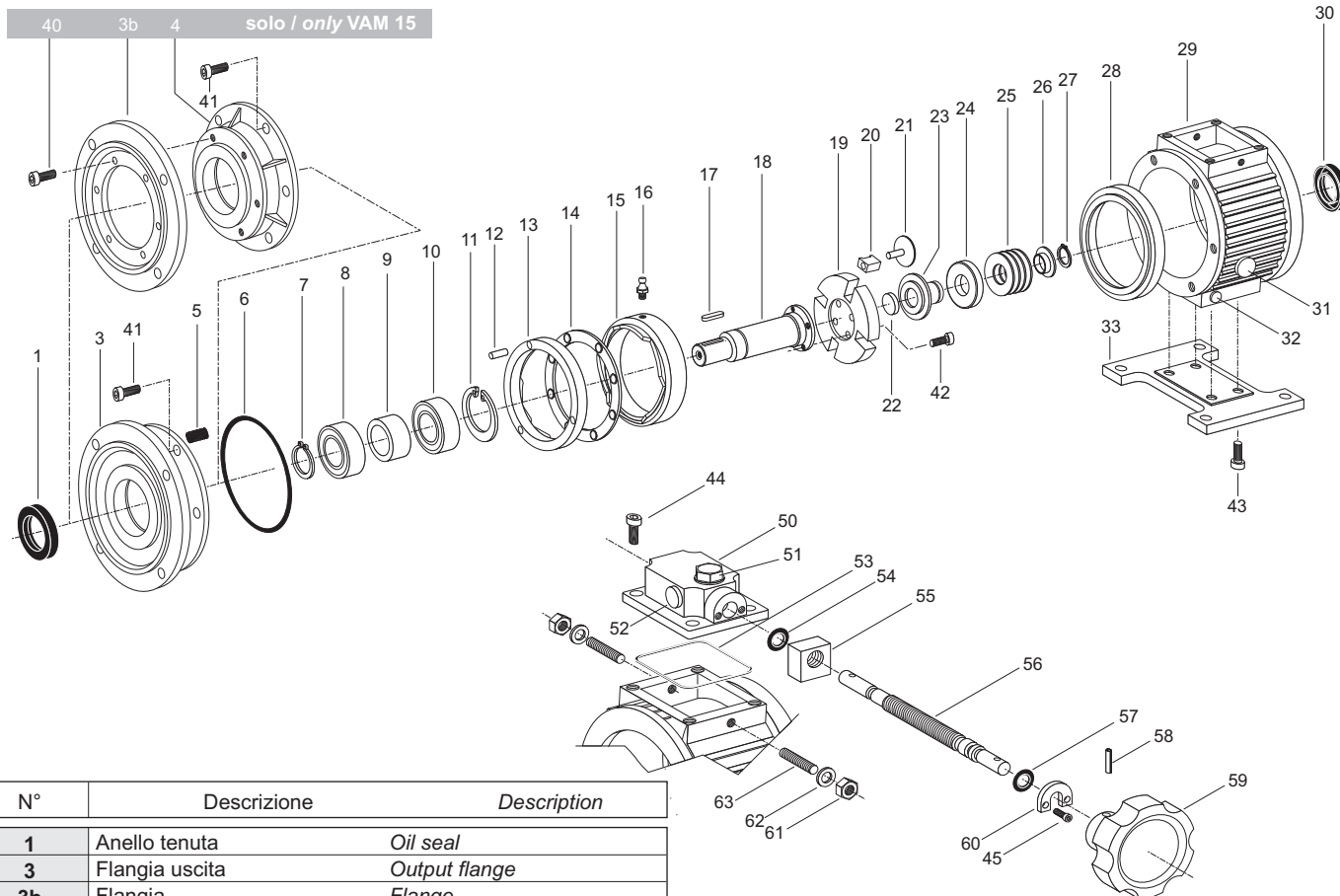
## WM26 - CM030..CM130



N°	Descrizione	Description
1	Corpo riduttore	Housing
2	Coperchio laterale (CM 040 - 130)	Cover (CM 040 - 130)
3	Flangia attacco motore	Motorflange
4	Vite senza fine	Wormshaft
5	Corona	Wormwheel
6	Seeger (solo CM 030 e WM 26))	Circlip (CM 030 and WM 26 only)
7	Seeger	Circlip
8	Seeger (solo WM 26)	Circlip (WM 26 only)
17	Tappo olio (CM 040 - 130)	Oil plug (CM 040 - 130)

Grandezza Size	Cuscinetti / Bearings			Anelli di tenuta / Oil seals			RCA
	9 - 10	11	12	13	14	15	16
<b>WM 26</b>	<b>16004</b> 20/42/8	<b>6000</b> 10/26/8	<b>61903</b> 17/30/7	25/42/5	20/32/5	17/30/5	26/7
<b>CM 030</b>	<b>16005</b> 25/47/8	<b>6201</b> 12/32/10	<b>61904</b> 20/37/9	25/47/7		20/30/7	32/7
<b>CM 040</b>	<b>6006</b> 30/55/13	<b>6203</b> 17/40/12	<b>6005</b> 25/47/12	30/40/7		25/35/7	40/7
<b>CM 050</b>	<b>6008</b> 40/68/15	<b>6204</b> 20/47/14	<b>6006</b> 30/55/13	40/62/7		30/47/8	47/7
<b>CM 063</b>	<b>6009</b> 45/75/16	<b>6205</b> 25/52/15	<b>6007</b> 35/62/14	45/65/10		35/52/8	52/7
<b>CM 075</b>	<b>6010</b> 50/80/16	<b>30206</b> 30/62/17.25	<b>32008</b> 40/68/19	50/72/8		40/60/7	62/7
<b>CM 090</b>	<b>6012</b> 60/95/18	<b>30206</b> 30/62/17.25	<b>32008</b> 40/68/19	60/85/8		40/60/7	62/7
<b>CM 110</b>	<b>6013</b> 65/100/18	<b>32207</b> 35/72/24.25	<b>32010</b> 50/80/20	65/85/10		50/68/8	72/8
<b>CM 130</b>	<b>6014</b> 70/110/20	<b>32207</b> 35/72/24.25	<b>32010</b> 50/80/20	70/90/10		50/68/8	72/8

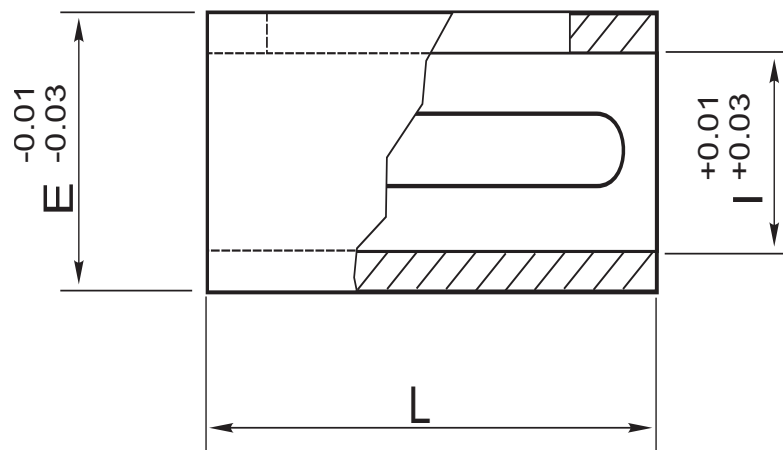
VAM018..VAM040



N°	Descrizione	Description
1	Anello tenuta	Oil seal
3	Flangia uscita	Output flange
3b	Flangia	Flange
4	Coperchio uscita	Output cover
5	Molla cilindrica	Spring
6	Guarnizione uscita	Output seal
7	Seeger	Circlip
8	Cuscinetto	Bearing
9	Distanziale	Spacer
10	Cuscinetto	Bearing
11	Seeger	Circlip
12	Spina elastica	Elastic dowel
13	Pista di regolazione	Regulating orbit
14	Anello porta sfere	Ball ring
15	Pista mobile esterna	Moving outer planetary orbit
16	Perno regolazione	Regulation pin
17	Linguetta	Key
18	Albero uscita	Output shaft
19	Portasatelliti	Planet support
20	Boccola scorrevole	Slide block
21	Satellite	Planet wheel
22	Tappo disco motore	Motor plate plug
23	Pista fissa interna	Fixed inferior planetary orbit
24	Pista mobile interna	Moving inferior planetary orbit
25	Molle a tazza	Butterfly spring
26	Anello arresto molle	Spring stop ring
27	Seeger	Circlip
28	Pista fissa esterna	Fixed outer planetary orbit
29	Corpo riduttore	Housing
30	Anello tenuta	Oilseal
31	Tappo di livello	Level plug
32	Tappo magnetico	Magnetic plug
33	Piede	Foot
40	Vite di fissaggio	Fixing screw
41	Vite di fissaggio	Fixing screw
42	Vite di fissaggio	Fixing screw

N°	Descrizione	Description
43	Vite di fissaggio	Fixing screw
44	Vite di fissaggio	Fixing screw
45	Vite di fissaggio	Fixing screw
50	Scatola di comando	Operating box
51	Tappo di chiusura	Closing plug
52	Tappo di chiusura	Closing plug
53	Guarnizione coperchio comando	Control cover seal
54	Anello OR	O-Ring
55	Supporto perno	Spin support
56	Vite di comando	Speed control screw
57	Anello OR	O-Ring
58	Spina elastica	Elastic dowel
59	Volantino di comando	Control knob
60	Ralla di comando	Handwheel hub
61	Dado autobloccante	Self-locking nut
62	Rondella di rame	Copper washer
63	Vite di fine corsa	Stroke and screw

Grandezza Size	Cuscinetti / Bearings		Anelli di tenuta / Oil seals	
	8	10	1	30
VAM 018	6002 15/32/9	6002 15/32/9	15/32/7	18/30/6
VAM 037	6004 20/42/12	6004 20/42/12	20/42/7	25/47/7
VAM 075	6205 25/52/15	6205 25/52/15	25/52/8	30/52/8
VAM 15	6305 25/62/17	6008 40/68/15	30/52/8	—
VAM 22	6306 30/72/19	6211 55/100/21	45/65/10	—
VAM 40	6306 30/72/19	6211 55/100/21	45/65/10	—



Quantità per scatola Quantity each box	Tipo / Type	Dimensioni mm. / Dimensions mm.		
		E	I	L
50	<b>B 0911</b>	11	9	22
50	<b>B 1114</b>	14	11	28
50	<b>B 1419</b>	19	14	40
30	<b>B 1924</b>	24	19	50
20	<b>B 2428</b>	28	24	60
15	<b>B 2838</b>	38	28	70
25	<b>BS 0914</b>	14	9	26
25	<b>BS 1119</b>	19	11	35
30	<b>BS 1424</b>	24	14	40
20	<b>BS 1928</b>	28	19	40
15	<b>BS 2438</b>	38	24	70

Nota: Le boccole in acciaio sono fornite complete di linguette.  
 Note: The metal shaft sleeves are supplied complete with keys.



