

# INTECNO

DC

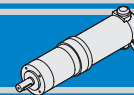
PK-P-PM

*MICRO Motoriduttori C.C. Epicicloidali*  
*D.C. MICRO Planetary Gearmotors*



member of  
**TRANSTECNO**  
group

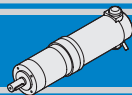




<b>Indice</b>	<b>Index</b>	Pag. Page
Caratteristiche tecniche	<i>Technical features</i>	<b>B2</b>
Designazione	<i>Classification</i>	<b>B2</b>
Simbologia	<i>Symbols</i>	<b>B2</b>
Lubrificazione	<i>Lubrication</i>	<b>B2</b>
Carichi radiali	<i>Radial loads</i>	<b>B3</b>
Rapporti	<i>Ratios</i>	<b>B3</b>
PK-P32 con motore C.C.	<i>PK-P32 with DC motor</i>	<b>B4</b>
PM32 LN con motore C.C.	<i>PM32 LN with DC motor</i>	<b>B6</b>
PK-P42 con motore C.C.	<i>PK-P42 with DC motor</i>	<b>B8</b>
PK-P52 con motore C.C.	<i>PK-P52 with DC motor</i>	<b>B10</b>
Dimensioni montaggio encoder	<i>Encoder assembling dimensions</i>	<b>B12</b>

Questa sezione annulla e sostituisce ogni precedente edizione o revisione. Qualora questa sezione non Vi sia giunta in distribuzione controllata, l'aggiornamento dei dati ivi contenuto non è assicurato. **In tal caso la versione più aggiornata è disponibile sul nostro sito internet [www.intecno-srl.com](http://www.intecno-srl.com)**

*This section replaces any previous edition and revision. If you obtained this catalogue other than through controlled distribution channels, the most up to date content is not guaranteed. **In this case the latest version is available on our web site [www.intecno-srl.com](http://www.intecno-srl.com)***



**Caratteristiche tecniche**

**Technical features**

Le caratteristiche principali dei motoriduttori epicicloidali a corrente continua della serie PK-P-PM LN sono:

- Alimentazione in bassa tensione 12/24 Vcc
- Possibilità di montaggio encoder
- Potenze motori disponibili da 8 a 140W S2
- Magneti in ferrite
- Lubrificazione permanente a grasso

**Soluzione PK-SB:**

- Completamente in plastica
- Bronzina su albero di uscita

**Soluzione PK-BB:**

- Mix plastica/metallo
- Doppio cuscinetto su albero di uscita

**Soluzione P:**

- Completamente in metallo
- Doppio cuscinetto su albero di uscita

**Soluzione PM LN:**

- Versione bassa rumorosità della versione P

The main features of planetary gearmotors range PK-P-PM LN series are:

- Low voltage power supply 12/24 Vdc
- Suitable for encoder assembly
- Motor power ratings available from 8 up to 140W S2
- Ferrite magnets
- Permanent grease long life lubrication

**PK-SB solution:**

- Completely made out of plastic
- Sintered bearing on output shaft

**PK-BB solution:**

- Plastic/metal mix
- Double ball bearing on output shaft

**P solution:**

- Completely made out of metal
- Double ball bearing on output shaft

**PM LN solution:**

- Low noise version of P solution

**Designazione**

**Classification**

RIDUTTORE / GEARBOX					MOTORE / MOTOR		
PK	42	2	46	BB	EC035	24V	—
Tipo Type	Grandezza Size	Stadi riduttore Gearbox stages	Rapporto in Ratio in	Versione Version	Tipo Type	Tensione Voltage	Opzioni Options
PK	32 42 52	1 2 3 4	Vedere tabelle See tables	SB BB	EC008 EC016 EC020 EC035 EC050 EC070 EC100	12V 24V	Encoder 
P				-			
PM	32			LN			

**Simbologia**

**Symbols**

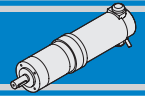
Ns	n° stadi / No. stages	Pn	[W]	Potenza nominale / Nominal power
in	rapporto nominale / nominal ratio	V	[V]	Tensione / Voltage
ir	rapporto reale / real ratio	I	[A]	Assorbimento / Current
M <sub>2</sub>	[Nm] coppia in uscita in funzionamento continuativo S1 output torque for continuous operation S1	IC		Classe di isolamento termico / Thermal insulation class
Rd	rendimento dinamico / efficiency	FF		Fattore di forma / Form factor
R <sub>2</sub>	[N] massimo carico radiale al centro dell'albero uscita max. radial load at output shaft centre	Mn	[Nm]	Coppia / Torque
A <sub>2</sub>	[N] massimo carico assiale / max. axial load	n <sub>1</sub>	[Rpm]	Giri / Speed
		IP		Grado di protezione / Enclosure protection
		Kg		Peso / Weight

**Lubrificazione**

**Lubrication**

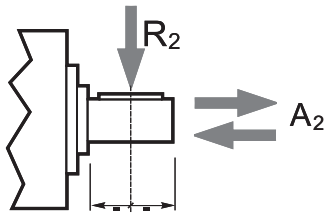
I riduttori epicicloidali sono lubrificati in modo permanente, non richiedono quindi ulteriore manutenzione. Questo gli consente di essere installati praticamente ovunque. La temperatura di funzionamento consentita va da -30 °C a +140 °C; per applicazioni particolari, possono essere adottate misure per raggiungere livelli di temperatura maggiori.

Planetary gearboxes are life-time lubricated with grease, therefore they are maintenance free. They can be installed in any location. The temperature range is from -30 °C up to +140 °C; for special applications, measures can be taken for higher temperature range.



**Carichi radiali**

**Radial loads**



Ns	Carichi Radiali $R_2$ [N] / Radial Load $R_2$ [N]									
	PK32SB	PK32BB	P32	PM32LN	PK42SB	PK42BB	P42	PK52BB	P52	
1	15	40	40	40	15	160	160	200	200	
2	30	70	70	70	30	230	230	320	320	
3	45	100	100	100	45	300	300	450	450	
4	45	100	130	130	45	300	360	500	500	

Ns	Carichi Assiali $A_2$ [N] / Axial Load $A_2$ [N]									
	PK32SB	PK32BB	P32	PM32LN	PK42SB	PK42BB	P42	PK52BB	P52	
1	5	10	10	10	5	50	50	60	60	
2	10	20	20	20	10	80	80	100	100	
3	15	30	30	30	30	110	110	150	150	
4	15	30	40	40	30	110	140	200	200	

**Rapporti**

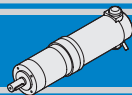
**Ratios**

PK SB BB / P 32 42 52		
Ns	in	ir
1	4	3.7
	4	4.28
	5	5.18
	7	6.75
2	14	13.73
	16	15.88
	18	18.36
	19	19.2
	22	22.2
	25	25.01
	27	26.85
	29	28.93
	35	34.97
	46	45.56
3	51	50.89
	59	58.85
	68	68.06
	71	71.16
	79	78.71
	93	92.7
	95	95.17
	100	99.5
	107	107.2
	115	115.07
	124	123.97
	130	129.62
	139	139.13
	150	149.9
	169	168.84
	181	181.24
	195	195.26
236	236.09	
308	307.54	
4	a richiesta	on request

PM 32 LN		
Ns	in	ir
1	4	3.7
	4	4.28
	5	5.18
	7	6.75
2	14	13.73
	16	15.88
	18	18.36
	19	19.2
	22	22.2
	25	25.01
	27	26.85
	29	28.93
	35	34.97
	46	45.56
3	51	50.89
	59	58.85
	68	68.06
	71	71.16
	79	78.71
	93	92.7
	95	95.17
	100	99.5
	107	107.2
	115	115.07
	124	123.97
	130	129.62
	139	139.13
	150	149.9
	169	168.84
	181	181.24
	195	195.26
236	236.09	
308	307.54	
4	369	368.76
	721	720.98

**Rapporti preferenziali**  
**Preferred ratios**

Disponibile a 4 stadi con rapporti fino a 2076  
 Available 4 stages with ratio up to 2076



PK-P32 con motore C.C.

PK-P32 with DC motor



PK32SB								EC008				EC016			
Ns	in	ir	M <sub>2</sub> [Nm]	Rd	R <sub>2</sub> [N]	A <sub>2</sub> [N]	Kg	S1 12V		S1 24V		S1 12V		S1 24V	
								[Nm]	[rpm]	[Nm]	[rpm]	[Nm]	[rpm]	[Nm]	[rpm]
1	4	3.70	0.4	0.75	15	5	0.1	0.06	851	0.06	946	0.1	811	0.1	811
	7	6.75						0.1	467	0.1	519	0.18	444	0.18	444
2	14	13.73	1	0.7	30	10	0.12	0.19	229	0.19	255	0.34	218	0.34	218
	25	25.01						0.35	126	0.35	140	0.61	120	0.61	120
	46	45.56						0.64	69	0.64	77	1.12	66	1.12	66
3	68	68.06	2	0.65	45	15	0.13	0.88	46	0.88	51	1.55	44	1.55	44
	93	92.70						1.21	34	1.21	38	2.11	32	2.11	32
	169	168.84						2.2	19	2.2	21	3.84	18	3.84	18
	308	307.54						4	10	4	11	7	10	7	10



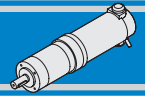
PK32BB								EC008				EC016			
Ns	in	ir	M <sub>2</sub> [Nm]	Rd	R <sub>2</sub> [N]	A <sub>2</sub> [N]	Kg	S1 12V		S1 24V		S1 12V		S1 24V	
								[Nm]	[rpm]	[Nm]	[rpm]	[Nm]	[rpm]	[Nm]	[rpm]
1	4	3.70	0.6	0.75	40	10	0.12	0.06	851	0.06	946	0.1	811	0.1	811
	7	6.75						0.1	467	0.1	519	0.18	444	0.18	444
2	14	13.73	1.5	0.7	70	20	0.14	0.19	229	0.19	255	0.34	218	0.34	218
	25	25.01						0.35	126	0.35	140	0.61	120	0.61	120
	46	45.56						0.64	69	0.64	77	1.12	66	1.12	66
3	68	68.06	3	0.65	100	30	0.15	0.88	46	0.88	51	1.55	44	1.55	44
	93	92.70						1.21	34	1.21	38	2.11	32	2.11	32
	169	168.84						2.2	19	2.2	21	3.84	18	3.84	18
	308	307.54						4	10	4	11	7	10	7	10



P32								EC008				EC016			
Ns	in	ir	M <sub>2</sub> [Nm]	Rd	R <sub>2</sub> [N]	A <sub>2</sub> [N]	Kg	S1 12V		S1 24V		S1 12V		S1 24V	
								[Nm]	[rpm]	[Nm]	[rpm]	[Nm]	[rpm]	[Nm]	[rpm]
1	4	3.70	0.75	0.8	40	10	0.16	0.06	851	0.06	946	0.11	811	0.11	811
	7	6.75						0.11	467	0.1	519	0.19	444	0.19	444
2	14	13.73	2.3	0.75	70	20	0.21	0.21	229	0.19	255	0.37	218	0.37	218
	25	25.01						0.38	126	0.35	140	0.66	120	0.66	120
	46	45.56						0.68	69	0.64	77	1.21	66	1.21	66
3	68	68.06	4.5	0.7	100	30	0.26	0.95	46	0.88	51	1.67	44	1.67	44
	93	92.70						1.3	34	1.21	38	2.27	32	2.27	32
	169	168.84						2.36	19	2.2	21	4.14	18	4.14	18
	308	307.54						4.31	10	4	11	7.54	10	7.54	10

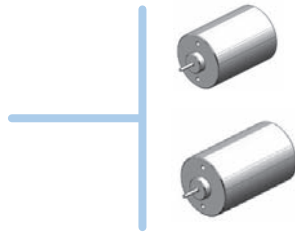
**Nota:** le caselle in colore grigio indicano il superamento della coppia massima sopportata dal riduttore per il servizio in S1.  
Per vedere tutti i rapporti di riduzione disponibili, vedere tabella a pag. B3

**N.B.:** boxes in grey indicate that maximum torque withstood by gear reducer for service in S1 is exceeded.  
See the table on page B3 for all available ratios.



PK-P32 con motore C.C.

PK-P32 with DC motor

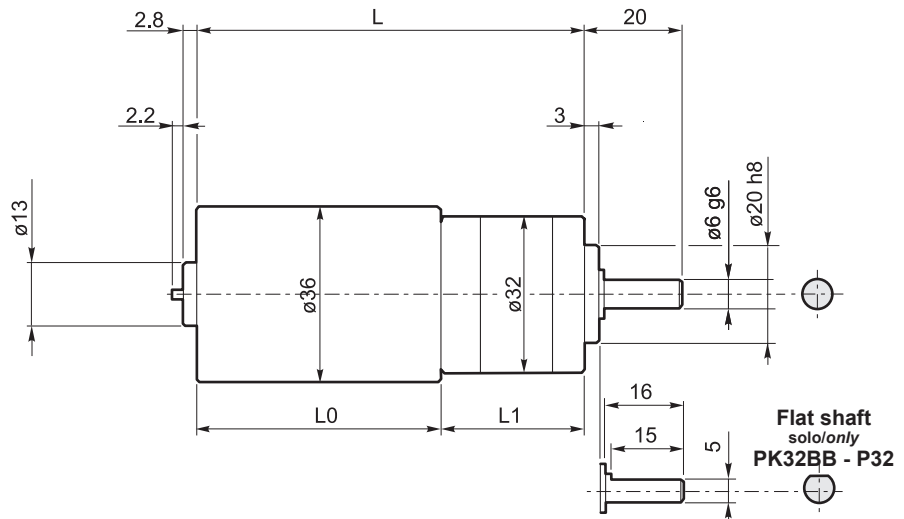
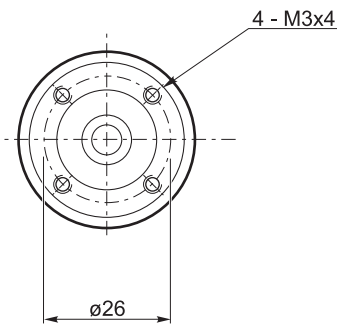


**EC008 8 Watt**  
12/24 V

**EC016 16 Watt**  
12/24 V

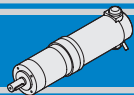
Tipo Type	Servizio Duty	Pn [W]	V [V]	I [A]	IC	FF	Mn [mNm]	n <sub>1</sub> [rpm]	IP	Kg
<b>EC008.120</b>	S1	6.6	12	0.8	A	1	20	3150	20	0.15
<b>EC008.240</b>		7.3	24	0.38				3500		
<b>EC016.120</b>	S1	16	12	1.4	A	1	35	3000	20	0.2
<b>EC016.240</b>			24	0.7						

Azionamenti Drives



	Ns	L1	EC008		EC016	
			L0	L	L0	L
<b>PK32SB</b>	1	33	50	83	57	90
	2	42.5		92.5		99.5
	3	52		102		109
<b>PK32BB P32</b>	1	29.5		79.5		86.5
	2	39		89		96
	3	48.5		98.5		105.5

DC  
PK-P-PM



PM32 LN con motore C.C.

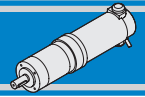
PM32 LN with DC motor



PM32 LN								EC008				EC016			
Ns	in	ir	M <sub>2</sub> [Nm]	Rd	R <sub>2</sub> [N]	A <sub>2</sub> [N]	Kg	S1 12V		S1 24V		S1 12V		S1 24V	
								[Nm]	[rpm]	[Nm]	[rpm]	[Nm]	[rpm]	[Nm]	[rpm]
1	5	<b>5.18</b>	0.75	0.8	40	10	0.16	0.08	608	0.08	676	0.14	579	0.14	579
2	19	<b>19.2</b>	2.3	0.75	70	20	0.21	0.29	164	0.29	182	0.5	156	0.5	156
	27	<b>26.85</b>						0.40	117	0.40	130	0.7	112	0.7	112
3	71	<b>71.16</b>	4.5	0.7	100	30	0.26	1.00	44	1.00	49	1.74	42	1.74	42
	139	<b>139.13</b>						1.95	23	1.95	25	3.4	22	3.4	22
4	369	<b>368.76</b>	4.5	0.65	130	40	0.31	4.79	9	4.79	9	8.4	8	8.4	8
	721	<b>720.98</b>						9.37	4	9.37	5	16.4	4	16.4	4

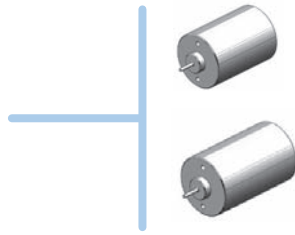
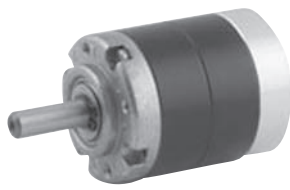
**Nota:** le caselle in colore grigio indicano il superamento della coppia massima sopportata dal riduttore per il servizio in S1.  
 Per vedere tutti i rapporti di riduzione disponibili, vedere tabella a pag. B3

**N.B.:** boxes in grey indicate that maximum torque withstood by gear reducer for service in S1 is exceeded.  
 See the table on page B3 for all available ratios.



PM32 LN con motore C.C.

PM32 LN with DC motor

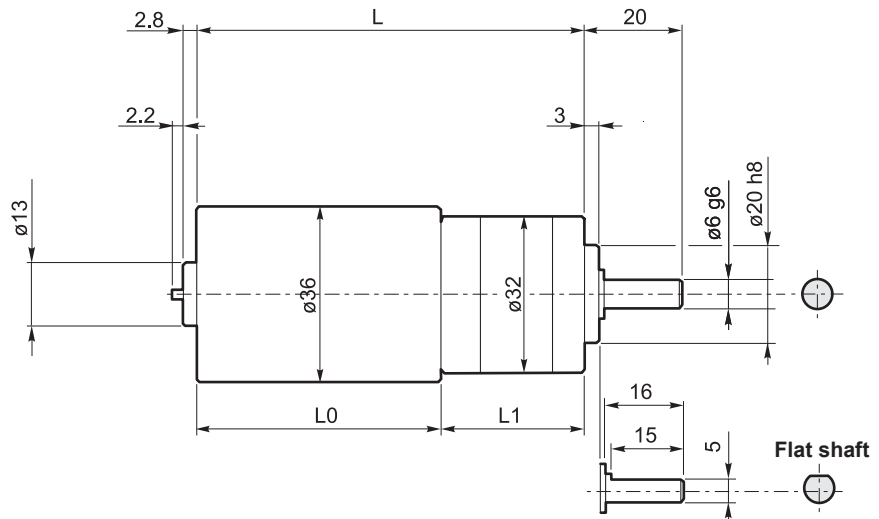
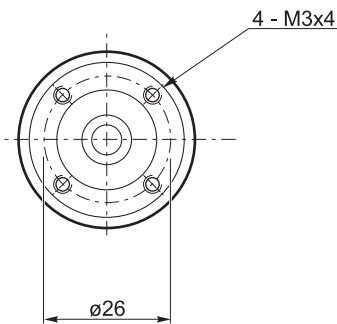


**EC008 8 Watt**  
12/24 V

**EC016 16 Watt**  
12/24 V

Tipo Type	Servizio Duty	Pn [W]	V [V]	I [A]	IC	FF	Mn [mNm]	n <sub>1</sub> [rpm]	IP	Kg
<b>EC008.120</b>	S1	6.6	12	0.8	A	1	20	3150	20	0.15
<b>EC008.240</b>		7.3	24	0.38				3500		
<b>EC016.120</b>	S1	16	12	1.4	A	1	35	3000	20	0.2
<b>EC016.240</b>			24	0.7						

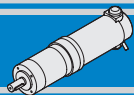
Azionamenti  
Drives



PM32 LN	Ns	L1	EC008		EC016	
			L0	L	L0	L
	1	29.5	50	79.5	57	86.5
	2	39		89		96
	3	48.5		98.5		105.5
	4	58		108		115

DC  
PK-P-PM





PK-P42 con motore C.C.

PK-P42 with DC motor



PK42SB								EC020			
Ns	in	ir	M <sub>2</sub> [Nm]	Rd	R <sub>2</sub> [N]	A <sub>2</sub> [N]	Kg	S1 12/24V		S2 12/24V	
								[Nm]	[rpm]	[Nm]	[rpm]
1	4	3.70	0.75	0.8	40	10	0.16	0.18	770	0.3	770
	7	6.75						0.32	422	0.54	422
2	14	13.73	2.3	0.75	70	20	0.21	0.62	208	1.03	208
	25	25.01						1.13	114	1.88	114
	46	45.56						2.05	63	3.42	63
3	68	68.06	4.5	0.7	100	30	0.26	2.86	42	4.76	42
	93	92.70						3.89	31	6.49	31
	169	168.84						7.09	17	11.82	17
	308	307.54						12.92	9	21.53	9



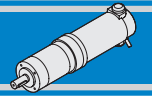
PK42BB								EC020				EC035			
Ns	in	ir	M <sub>2</sub> [Nm]	Rd	R <sub>2</sub> [N]	A <sub>2</sub> [N]	Kg	S1 12/24V		S2 12/24V		S1 12/24V		S2 12/24V	
								[Nm]	[rpm]	[Nm]	[rpm]	[Nm]	[rpm]	[Nm]	[rpm]
1	4	3.70	2	0.80	160	50	0.4	0.18	770	0.3	770	0.33	946	0.53	811
	7	6.75						0.32	422	0.54	422	0.59	519	0.97	444
2	14	13.73	5	0.75	230	80	0.5	0.62	208	1.03	208	1.13	255	1.85	218
	25	25.01						1.13	114	1.88	114	2.06	140	3.38	120
	46	45.56						2.05	63	3.42	63	3.76	77	6.15	66
3	68	68.06	10	0.70	300	110	0.6	2.86	42	4.76	42	5.24	51	8.58	44
	93	92.70						3.89	31	6.49	31	7.14	38	11.68	32
	169	168.84						7.09	17	11.82	17	13	21	21.27	18
	308	307.54						12.92	9	21.53	9	23.68	11	38.75	10



P42								EC035				EC050			
Ns	in	ir	M <sub>2</sub> [Nm]	Rd	R <sub>2</sub> [N]	A <sub>2</sub> [N]	Kg	S1 12/24V		S2 12/24V		S1 12/24V		S2 12/24V	
								[Nm]	[rpm]	[Nm]	[rpm]	[Nm]	[rpm]	[Nm]	[rpm]
1	4	3.70	3.0	0.8	160	50	0.4	0.33	946	0.53	811	0.47	811	0.65	811
	7	6.75						0.59	519	0.97	444	0.86	444	1.19	444
2	14	13.73	7.5	0.75	230	80	0.5	1.13	255	1.85	218	1.65	218	2.27	218
	25	25.01						2.06	140	3.38	120	3	120	4.13	120
	46	45.56						3.76	77	6.15	66	5.47	66	7.52	66
3	68	68.06	15.0	0.7	300	110	0.6	5.24	51	8.58	44	7.62	44	10.48	44
	93	92.70						7.14	38	11.68	32	10.38	32	14.28	32
	169	168.84						13	21	21.27	18	18.91	18	26	18
	308	307.54						23.68	11	38.75	10	34.44	10	47.36	10

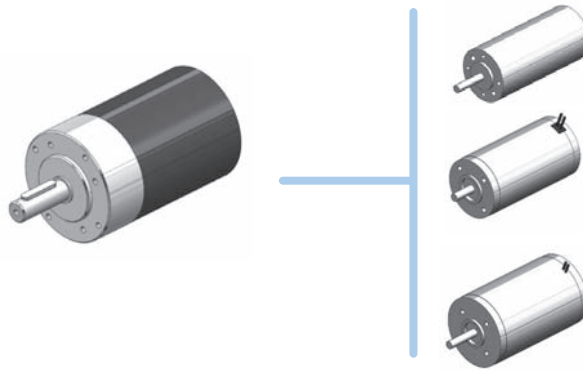
**Nota:** le caselle in colore grigio indicano il superamento della coppia massima sopportata dal riduttore per il servizio in S1.  
Per vedere tutti i rapporti di riduzione disponibili, vedere tabella a pag. B3

**N.B.:** boxes in grey indicate that maximum torque withstood by gear reducer for service in S1 is exceeded.  
See the table on page B3 for all available ratios.



PK-P42 con motore C.C.

PK-P42 with DC motor



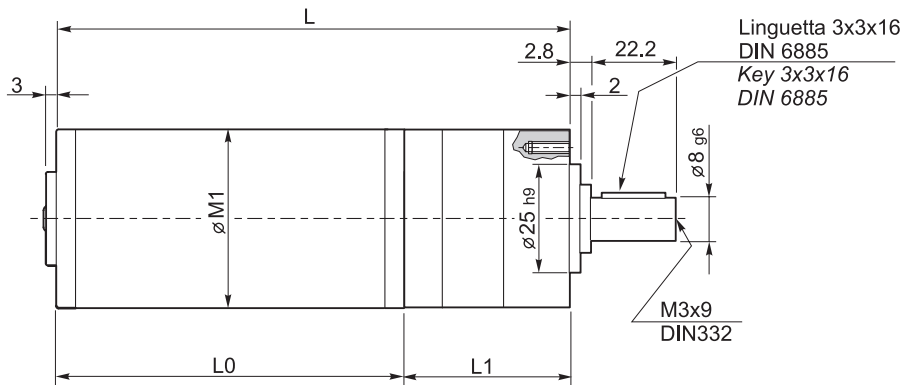
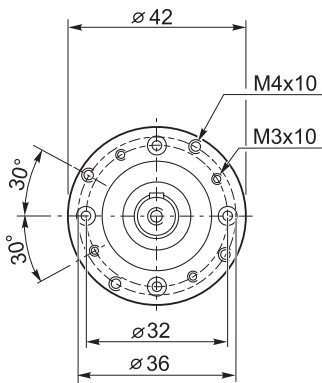
**EC020 30 Watt**  
12/24 V

**EC035 55 Watt**  
12/24 V

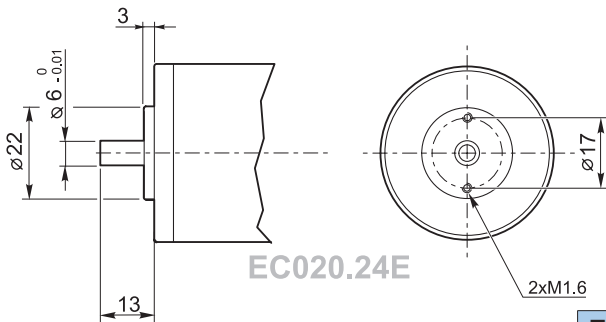
**EC050 70 Watt**  
12/24 V

Tipo Type	Servizio Duty	Pn [W]	V [V]	I [A]	IC	FF	Mn [Nm]	n <sub>1</sub> [rpm]	IP	Kg	
EC020.120	S1	20	12	3.2	B	1	0.06	2850	20	0.4	
	S2 6'	30		4.6			0.10				
EC020.240	S1	20	24	1.5			0.06	2850			
	S2 6'	30		2.5							0.10
EC035.120	S1	35	12	5.2	F	1	0.11	3500	44	0.8	
	S2 9'	55		8.0			0.18				3000
EC035.240	S1	35	24	2.6			0.11	3500			
	S2 9'	55		4.0							0.18
EC050.120	S1	50	12	6.8	F	1	0.16	3000	44	1.2	
	S2 9'	70		9.4			0.22				
EC050.240	S1	50	24	3.4			0.16				3000
	S2 9'	70		4.7							

Azionamenti  
Drives



EC020 - EC035 - EC050



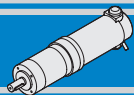
EC020.24E

EC035 → B12  
EC050 → B12

Encoder → H2

PK42SB PK42BB P42	EC020 - EC20.24E			EC035			EC050				
	Ns	L1	L0	L	M1	L0	L	M1	L0	L	M1
	1	60	90	150	42	98.5	158.5	51.5	103	163	63
	2	73		163			171.5			176	
	3	86		176			184.5			189	

DC  
PK-P-PM



PK-P52 con motore C.C.

PK-P52 with DC motor



PK52BB								EC050				EC070	
Ns	in	ir	M <sub>2</sub> [Nm]	Rd	R <sub>2</sub> [N]	A <sub>2</sub> [N]	Kg	S1 12/24V		S2 12/24V		S2 12/24V	
								[Nm]	[rpm]	[Nm]	[rpm]	[Nm]	[rpm]
1	4	<b>3.70</b>	3.0	0.75	200	60	0.4	0.44	811	0.61	811	0.86	811
	7	<b>6.75</b>						1.11	444	1.11	444	1.57	444
2	14	<b>13.73</b>	8.0	0.7	320	100	0.5	1.53	218	2.11	218	2.97	218
	25	<b>25.01</b>						2.8	120	3.85	120	5.42	120
	46	<b>45.56</b>						5.10	66	7.01	66	9.88	66
3	68	<b>68.06</b>	17.0	0.65	450	150	0.6	7.08	44	9.73	44	13.71	44
	93	<b>92.70</b>						9.64	32	13.26	32	18.67	32
	169	<b>168.84</b>						17.55	18	24.14	18	34.02	18
	308	<b>307.54</b>						31.98	10	43.98	10	61.97	10



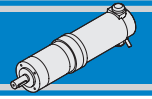
P52								EC070		EC100			
Ns	in	ir	M <sub>2</sub> [Nm]	Rd	R <sub>2</sub> [N]	A <sub>2</sub> [N]	Kg	S2 12/24V		S1 12/24V		S2 12/24V	
								[Nm]	[rpm]	[Nm]	[rpm]	[Nm]	[rpm]
1	4	<b>3.70</b>	4.0	0.8	200	60	0.7	0.92	811	0.92	811	1.27	811
	7	<b>6.75</b>						1.67	444	1.67	444	2.32	444
2	14	<b>13.73</b>	12.0	0.75	320	100	0.9	3.19	218	3.19	218	4.43	218
	25	<b>25.01</b>						5.81	120	5.81	120	8.07	120
	46	<b>45.56</b>						10.59	66	10.59	66	14.69	66
3	68	<b>68.06</b>	25.0	0.7	450	150	1.1	14.77	44	14.77	44	20.49	44
	93	<b>92.70</b>						20.12	32	20.12	32	27.9	32
	169	<b>168.84</b>						36.64	18	36.64	18	50.82	18
	308	<b>307.54</b>						66.74	10	66.74	10	92.57	10

**Nota:** le caselle in colore grigio indicano il superamento della coppia massima sopportata dal riduttore per il servizio in S1.  
Per vedere tutti i rapporti di riduzione disponibili, vedere tabella a pag. B3

**N.B.:** boxes in grey indicate that maximum torque withstood by gear reducer for service in S1 is exceeded.  
See the table on page B3 for all available ratios.



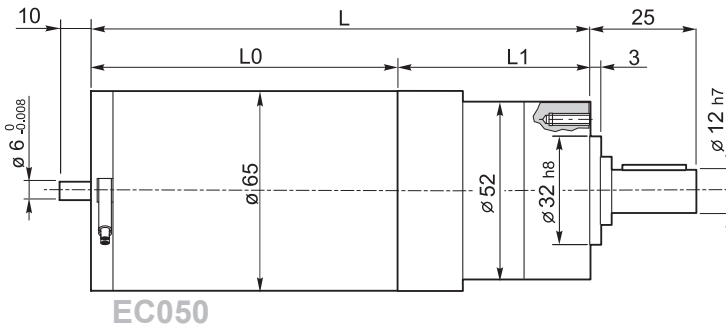
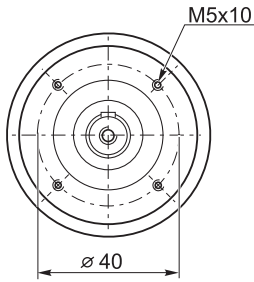
Tipo Type	Servizio Duty	Pn [W]	V [V]	I [A]	IC	FF	Mn [Nm]	n1 [rpm]	IP	Kg
EC050.120	S1	50	12	6.8	F	1	0.16	3000	44	1.2
	S2 9'	70		9.4			0.22			
EC050.240	S1	50	24	3.4			0.16			
	S2 9'	70		4.7			0.22			
EC070.120	S2 20'	100	12	11.8	F	1	0.31	3000	44	1.7
EC070.240	S2 20'	100	24	5.9			0.22			
EC100.120	S1	100	12	12	F	1	0.31	3000	44	2.7
	S2 25'	140		16.8			0.43			
EC100.240	S1	100	24	6			0.31			
	S2 25'	140		8.4			0.43			



PK-P52 con motore C.C.

PK-P52 with DC motor

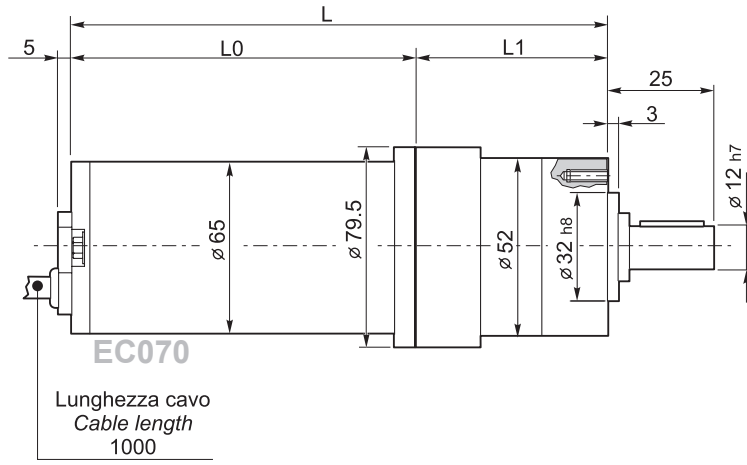
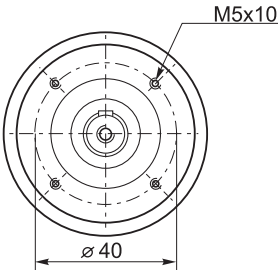
DC  
PK-P-PM



EC050

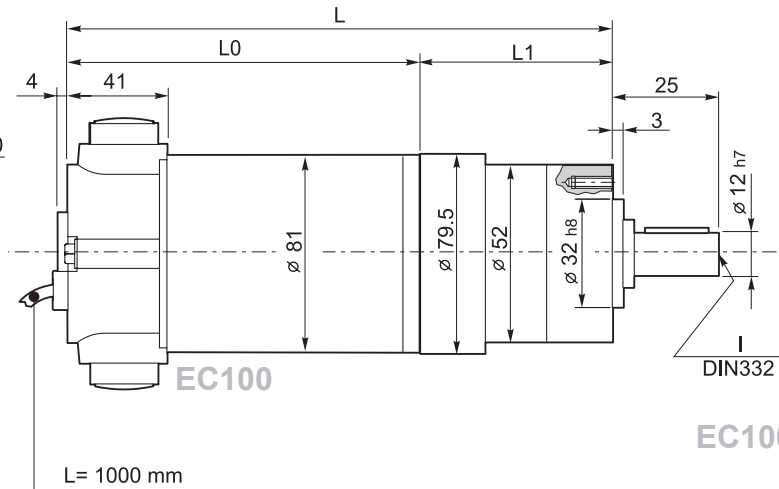
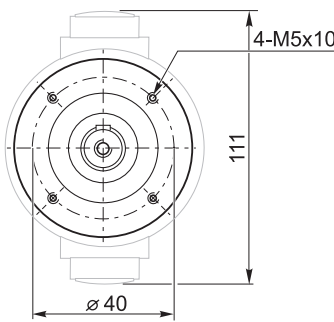
EC050 → B12

Encoder → H2



EC070

Lunghezza cavo  
Cable length  
1000



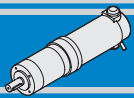
EC100

L = 1000 mm

EC100.24E → B12

Encoder → H2

	Ns	EC050			EC070			EC100		
		L0	L	L1	L0	L	L1	L0	L	L1
PK52BB	1	103	175	72	130	203	73	153	—	—
	2		189	86		217	87		—	—
	3		203	100		231.5	101.5		—	—
P52	1		—	—		206	76		229	76
	2		—	—		220	90		243	90
	3		—	—		234.5	104.5		257.5	104.5



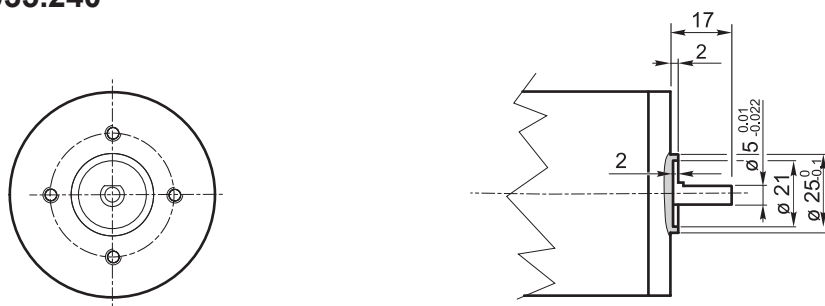
**Dimensioni montaggio encoder**

**Encoder assembling dimensions**

**EC020.24E**

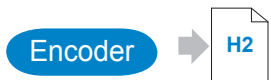
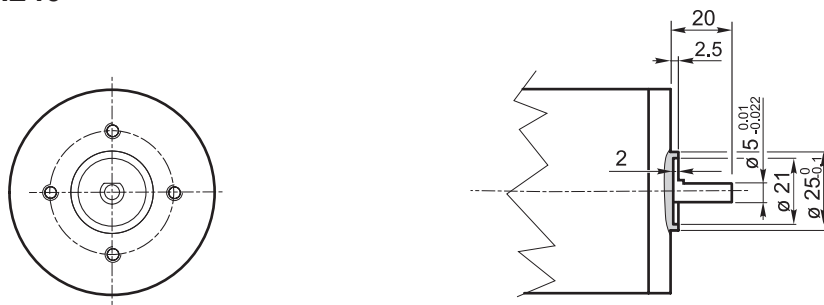


**EC035.120**  
**EC035.240**

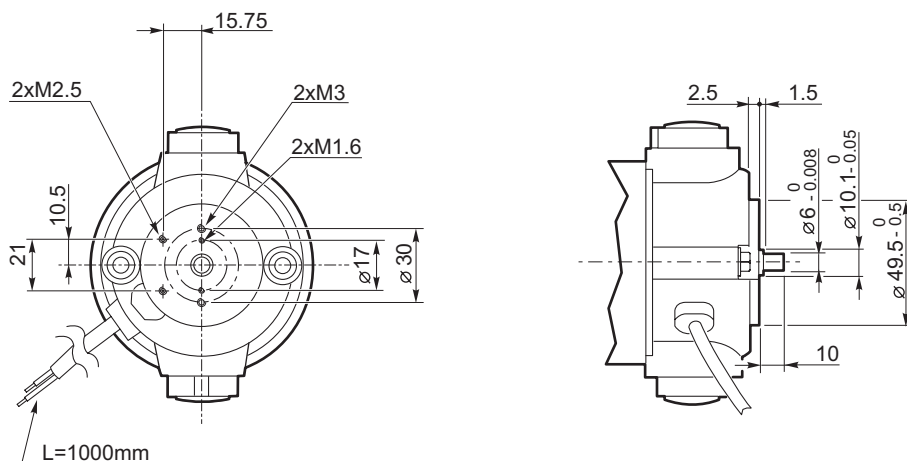


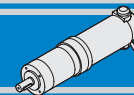
EC035: per montaggio encoder serve flangia AS204  
 EC035: encoder assembling needs flange AS204

**EC050.120**  
**EC050.240**



**EC100.24E**





# Note

---

---

---

---

---

---

---

---

---

---

---

---

---

---

---

---

---

---

---

---

---

---

---

DC

PK-P-PM



# INTECNO

member of  
**TRANSTECNO**  
group


[www.intecno-srl.com](http://www.intecno-srl.com)

 **INTECNO srl**  
Via Caduti di Sabbiuno, 9/E  
40011 - Anzola dell'Emilia (BO) - ITALY  
Tel. +39.051.19985350  
Fax +39.051.19985360  
E-mail: [info@intecno-srl.com](mailto:info@intecno-srl.com)  
[www.intecno-srl.com](http://www.intecno-srl.com)

 **GEARTECNO HOLLAND B.V.**  
De Stuwdam 43  
ind. terrein wieken/Vinkenhoef  
3815 Km Amersfoort THE NETHERLANDS  
Tel. +31.(0)33.4519505  
Fax +31.(0)33.4519506  
[info@geartecno.nl](mailto:info@geartecno.nl)  
[www.geartecno.nl](http://www.geartecno.nl)

 **SALES OFFICE BRAZIL**  
Rua Dr. Freire Alemao 155/402  
CEP. 90450-060  
Auxiliadora Porto Alegre-RS-BRAZIL  
Tel. +55.51.3251.5447  
Fax +55.51.3251.5447  
[braziloffice@transtecno.com](mailto:braziloffice@transtecno.com)  
[www.transtecno.com.br](http://www.transtecno.com.br)

 **SALES OFFICE SPAIN**  
C/Major, Nr.1  
17256 Fontclara SPAIN  
Tel. +34 626141978  
[spainoffice@transtecno.com](mailto:spainoffice@transtecno.com)  
[www.transtecno.es](http://www.transtecno.es)

 **SALES OFFICE OCEANIA**  
Unit 11, 5-27 Wallace Ave  
Point Cook 3030, Victoria - AUSTRALIA  
Tel. +61.03.9369.9774  
Mobile +61.0438.060.997  
Fax +61.03.9369.9775  
[oceaniaoffice@transtecno.com](mailto:oceaniaoffice@transtecno.com)

 **SALES OFFICE EASTERN  
EUROPE & MIDDLE EAST**  
St. Magnolienweg 4  
D-31860 Emmerthal - GERMANY  
Tel. +49.5151.963076  
Fax: + 49.5151.963076  
Mobile +49.172.4044907  
[emeoffice@transtecno.com](mailto:emeoffice@transtecno.com)

 **SALES OFFICE SOUTH KOREA**  
D-248, Namdong Industrial Complex 631,  
Gojan-dong Namdong-gu Incheon, KOREA  
Tel: +82 (0) 70 8288 2107  
Fax. +82-32-815-2107  
Mobile: +82 10 5094 2107  
[koreaoffice@transtecno.com](mailto:koreaoffice@transtecno.com)